

SHINGLE INSTALLATION GUIDE

for ROOFS and VERTICAL WALLS

IMPORTANT

These instructions are guidelines only and do not include all the appropriate equipment which should be used in accordance with safety regulations.
Please also note ROOFING FELT IS NOT ILLUSTRATED and should be fitted as required.

ROOFS

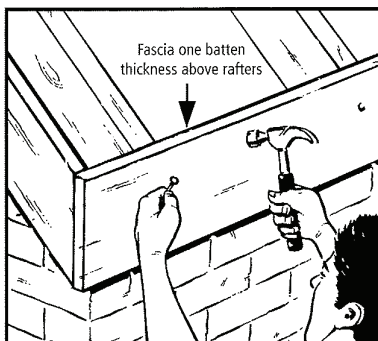
1 Tools required

Soft soled shoes, hammer, shingle nails, string line, tape measure, snips, block of wood (for knocking-up) and pencil.



2 Attach Fascia Boards

Fix timber or UPVC fascia board. Top edge to be approximately a batten thickness above rafters (if fascia used as eaves batten).



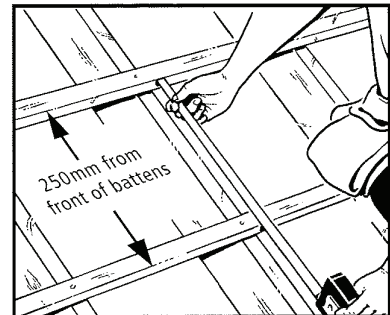
3 Space & attach Battens

Warm and Cold Roofs

For "Warm Roof" Application

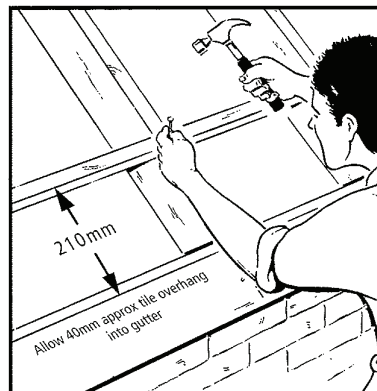
For "Warm" boarded roofs, it is essential to create a 25mm air gap between the boarding & the underside of the tiles/felt.

Introduce and securely fix through the boarding and into the rafters below, a 50mm x 25mm counter rafter running from eaves to ridge at approx. 900mm centres. Securely fix your tiling battens to the top of these counter rafters at 250mm centres.



For "Cold Roof" Application

Fix tiling battens to rafters at 250mm centres (front of batten to front of batten) except first batten which will be 250mm less overhang of the tile into gutter, usually 40mm.



4 Attach Barge Board

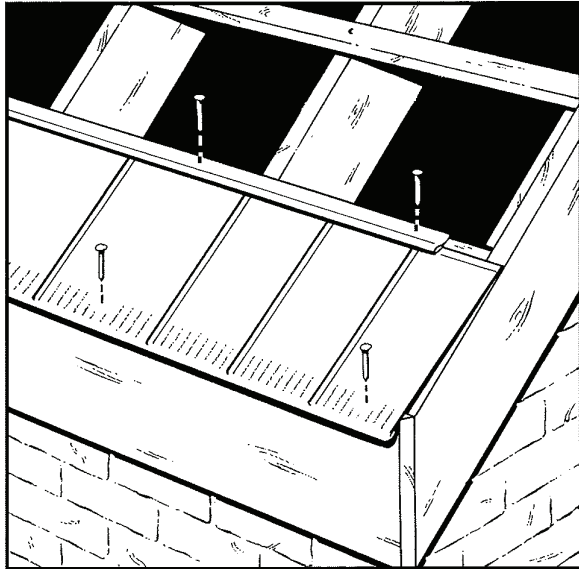
Fix the timber or UPVC barge board with its top in line with the top of tiling battens.

Top of barge board to be in line with top of batten



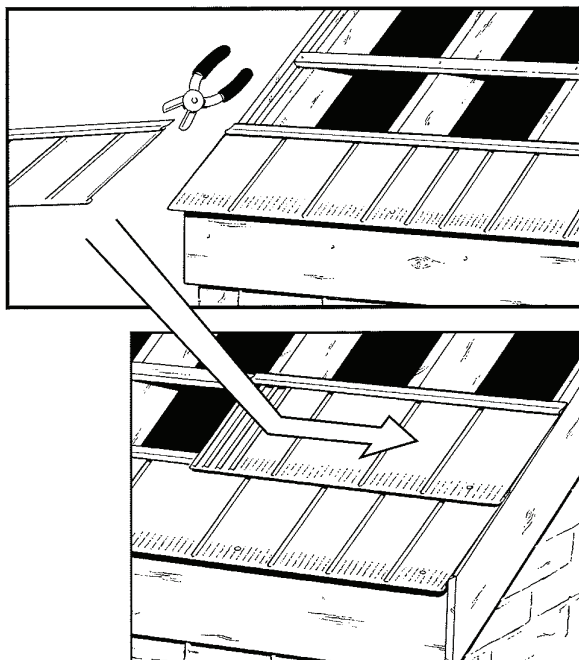
5 Working from right to left attach first row of tiles

Starting at the bottom right hand side of the roof, fix the first shingle tile using 4 screw / nails per tile through back "flange". Screws / nails to be evenly spaced. Working from right to left, continue to lay each shingle tile in same way ensuring side/end laps interlock correctly. At eaves only, nail each tile at their lowest possible point into the eaves batten/fascia. Use touch-up kit provided to paint nail heads.



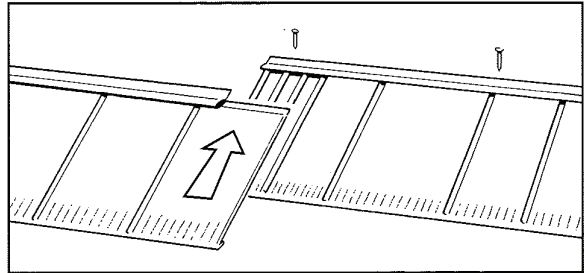
6 Finishing ends / "breaking the bond"

If possible use cut-off from the previous course to start next course or use a half tile to "break the bond".



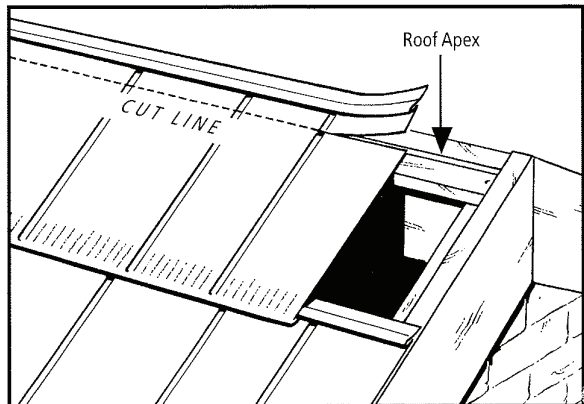
7 Tiling

Again working from right to left fix next subsequent shingle tile ensuring side / end / nose laps interlock correctly. Use half tiles or cut-off end pieces to start next course up. Hook nose of upper tile into lip of tile below ensuring a tight fit (the heel of your hand or a block of wood can be used to gently knock the tiles in tightly together). Continue with each successive course up.



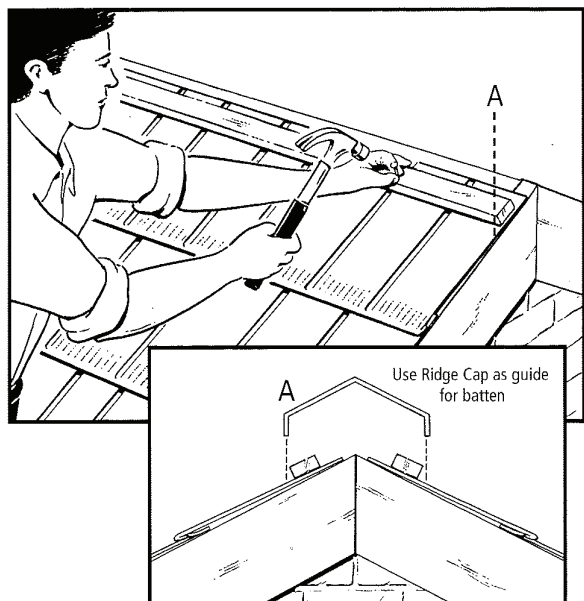
8 At the Ridge

At the ridge course of tiles, trim to suit if required using apex of roof as the cut line.



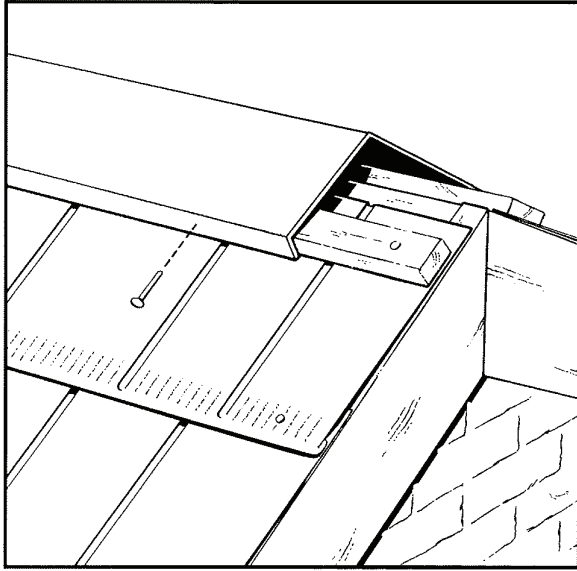
9 Attach Battens for Ridge Cap

Attach a timber batten on top of the shingle tile on either side of the ridge using a ridge cap as a guide.



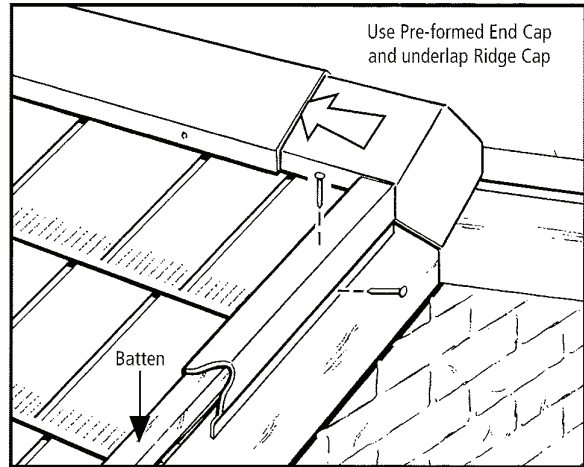
10 Attach the Ridge Cap

Secure ridge to batten using 4 nails per side.



11 Attach Verge Battens

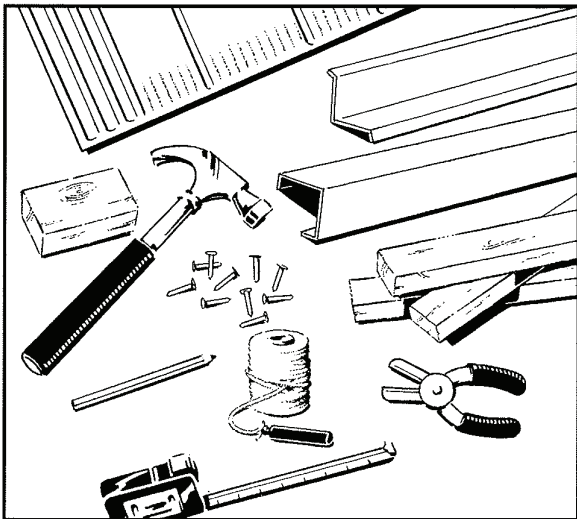
Run and fix a batten along the verge fixed on top of the shingle tiles. Fix the Shingle Non Handed Barges into tile batten and into barge board using 4 nails on the top and 4 nails on the side. Fix Pre-formed End Cap as shown.



VERTICAL WALLS

1 Equipment required

Shingle tiles, internal and external corner trims, timber battens, snips, hammer, shingle nails, tape measure, block of wood (for knocking up) and pencil.



2 Setting Up

Shingle can be fixed to tiling battens or to a boarded wall structure. If using battens attach first batten at the lowest point of wall to structure or counter battens fixed to wall.

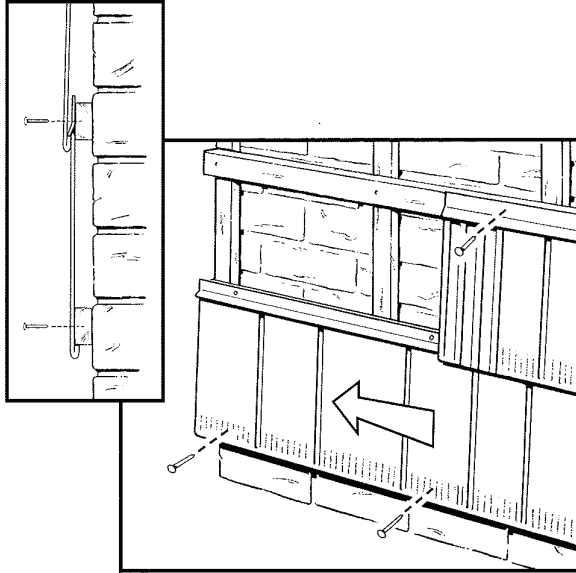
Then fix successive battens at 250mm spacings (front of batten to front of batten) all the way up the wall. If using boarding, tiles can be fixed directly to boarding and a string line should be used approx 250mm up from the lowest part of the wall.



VERTICAL WALLS

3 Affix the Tiles without using Metro Starter Rail

Starting from the bottom edge on the right hand side of the wall, "hook" nose of first course of shingle onto the lowest edge of batten or lowest edge of boarding. Nail each shingle 4 times through top flange (you will need to nail through the tile at the lowest edge and touch-up nail heads with touch-up kit provided).

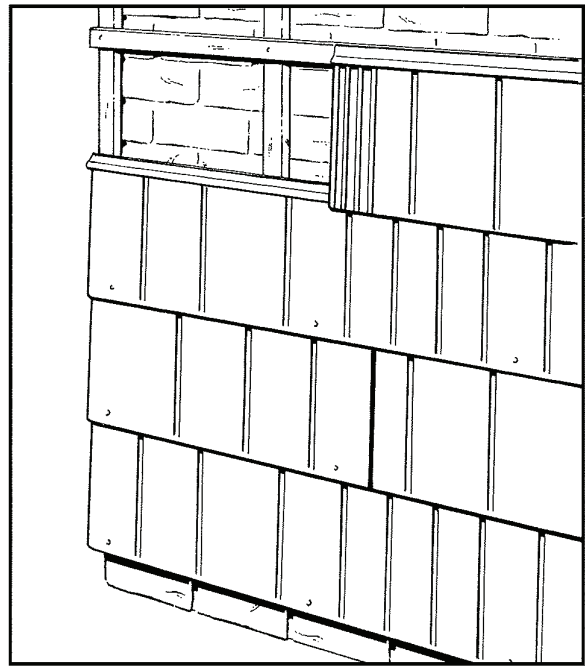


PLEASE NOTE

Should ventilation be required, a Ventilated Starter Trim is available upon request.

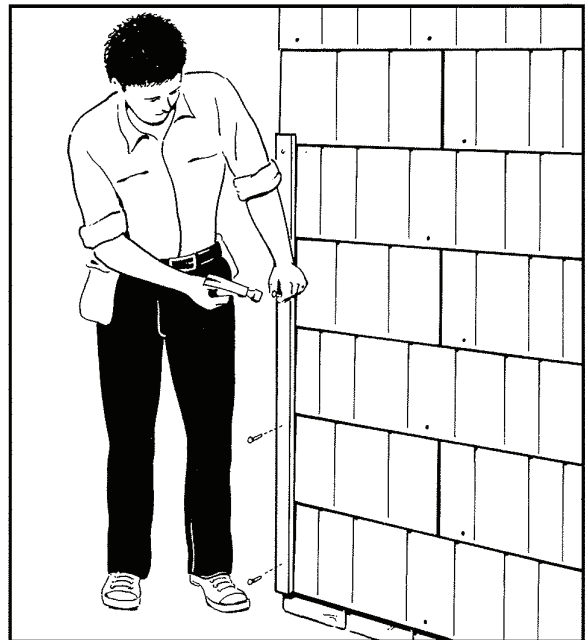
4 Tiling

Work from right to left as per roof instructions and use half tiles or cut-off end pieces to start next course up. Hook nose of upper tile into lip of tile below ensuring a tight fit (the heel of your hand or a block of wood can be used to gently knock the tiles in tightly together). Continue with each successive course up.



5 Attach Corner Trims

Fix corner trims by nailing 4 nails through each face into and through the shingle tiles and into the tiling battens or boarding. Start from the lowest point at the corner and work up ensuring the upper flashing overlaps the lower by approx. 25-30mm. Treat internal angle the same way using internal flashings.



metrotile
LIGHTWEIGHT ROOFING

Unit 3 Sheldon Business Park, Sheldon Corner, Chippenham, Wiltshire SN14 0RQ
Tel: +44 (0)1249 658514 Fax: +44 (0)1249 658453 Email: sales@metrotile.co.uk www.metrotile.co.uk